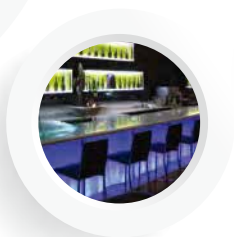




# PC-6WM-EB

Small sized ceiling speaker



**Harmoniously integrated  
thanks to small diameter.**

**sound** without compromise

[www.toa.com.hk](http://www.toa.com.hk)

# PC-6WM-EB

## Small sized ceiling speaker

As the all metallic construction, design and small size of this speaker corresponds to the commercially available halogen spotlight, light and sound can be integrated discreetly and harmoniously. In addition the speaker is designed for simple and quick installation and can be installed without the use of tools by using spring clips. The input impedance can be easily changed by changing the connection terminal.

- Smallest diameter for blending into the ceiling without disfiguring the ceiling design
- Easy snap-in installation
- Metallic construction
- Impedance change available by changing the connection terminal



### APPLICATION EXAMPLES



Shopping center



Office buildings



Hotels



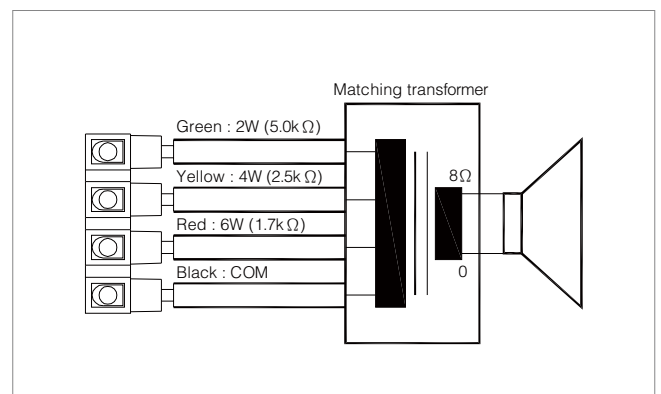
Retail stores

### SPECIFICATIONS

#### PC-6WM-EB

Rated Input	6W
Rated Impedance	1.7 k $\Omega$ (6W), 2.5 k $\Omega$ (4W), 5 k $\Omega$ (2W)
Sound Pressure Level	86 dB (1 m, 1 W)
Frequency Response	100 - 20,000 Hz (Peak -10 dB)
Speaker Component	7 cm (3") cone-type
Operating Temperature	-10°C to +55°C
Dust/Water Protection	IPx4
Dimensions for fixing hole	$\varnothing$ 85 +5 mm, -0 mm
Speaker Mounting Method	Spring clip
Applicable Cable	Solid copper wire or 7-core twisted copper wire
Connection	Screw terminal
Finish	Baffle: Steel plate, RAL9016 or equivalent Grill: Steel plate net, RAL 9016 or equivalent
Dimensions (Dia x H)	105 x 72 mm
Weight	0.5 kg

### WIRING DIAGRAM



TOA (Hong Kong) Limited

[www.toa.com.hk/](http://www.toa.com.hk/)

Specifications are subject to change without notice.  
Printed in Hong Kong