

# SOYAL<sup>®</sup>

Nation Series

# AR-721-H

## Multi Functional Access Controller

Classic and popular multi-functional controller of SOYAL with high scalability, durability and CP value



### Hot Sale Controller of SOYAL

Best-selling controller over the past 10 years, high CP value, multiple functions. Can meet most users' demands.

### Selectable Frequency

125KHz: Support EM card  
13.56MHz : Support Mifare, NFC (emulate UID), DESFire (Crypto comply with EAL4+)

### Expandable User Capacity to More than 10,000 Users

Built-in multiple control modes:

1. One door, one and half door
2. Multiple doors (with multi-door controller), can be more than 10,000 user capacity

### As RS485 Reader

Not only a controller, but an encrypted RS485 reader if utilized with other brand's controller

## Features



Lift Control



Alarming for Abnormal Event



In-Field Firmware Upgrade



Arming and Disarming



Watchdog



Anti-Passback



Web



Youtube

- Built-in hardware watchdog, real time clock, arming, force alarm, door close delay alarm, doorbell and duress code & output
- Built-in door auto open time zone, holiday edit, door group & time setting. With multi-door control panel, support more time and group sets
- Standalone / Networking / Support Cascade Structure
- Support RS485 communication encryption, SSC (Soyal Security Communication)
- In-field firmware upgrade
- Multiple access mode: card only, card or password, card and password
- Multi output: door lock output (0.1-600 sec. and toggle mode) & alarm output (1-600 sec.)
- Silent operation mode: push button mute and all mute Auto relock for anti-trailing and sneaking
- Access control, lift control, time attendance, payroll and SCADA: graphic monitoring & remote control function

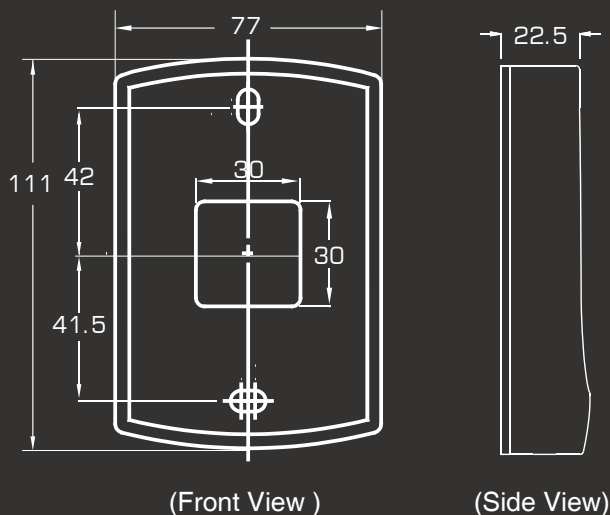
## SPECIFICATION

|                         |                       |  |  |
|-------------------------|-----------------------|--|--|
| Communication interface | Host                  | RS485/9600 bps (N, 8, 1)   |  |
|                         | Serial                | UART PORT (Output only)/4800 bps (N, 8, 1)<br>SSC (Soyal Security Communication)   |  |
| Frequency               |                       | 125kHz   | 13.56MHz   |
| Supported Tags          |                       | ISO18000-2: EM4001 and EM4095 compatible   | 1. ISO 14443 Mifare Ultralight, Classic, DESFire EV1<br>2. NFC (card simulation) |
| Crypto                  |                       | —  | CC Certification: 3DES<br>Crypto comply with EAL4+                               |
| RFID Reading Range      |                       | 10-18CM  | 2-8CM  |
| UID Bits                |                       | 32   |  |
| DI/DO                   | DI                    | Egress / Door State/Door Bell (Use Keypad'#')  |  |
|                         | RO                    | Door Lock Relay / Alarm Relay*   |  |
|                         | DO                    | Door Bell Output (Common Alarm PIN) / Arming Output / Security Trigger Output* / Duress Output   |  |
|                         |                       | *Required External Relay Output Module   |  |
| Doors/Floors Number     |                       | 1.5 Doors / 32 Floors  |  |
| User Capacity           |                       | 1024   |  |
| Event Log               |                       | 1200   |  |
| Indicator               | LED                   | Bi-Color LED Ring Indicator<br>GREEN= arming, disarming/standby mode & access granted<br>RED= abnormal event: access denied & alarming |  |
|                         | Buzzer                | 1  |  |
| Extend Port             |                       | Tamper Switch/Tamper Output/Wiegand IN   |  |
| Dimension (mm)          |                       | 111(H)X77(W)X26(D)   |  |
| Material                | Housing               | ABS  |  |
|                         | Keypad                | Rubber   |  |
| Color                   |                       | Silver & Gray  |  |
| Weight (g)              |                       | 100±10   |  |
| Power Consumption       |                       | <3W  |  |
| Power Voltage           |                       | 9-24VDC  |  |
| Ingress Protection      |                       | None   |  |
| Enviroment              | Operating Temperature | -20°C ~ +65°C  |  |
|                         | Storage Temperature   | -25°C ~ +70°C  |  |
|                         | Operating Humidity    | 20%~90%  |  |
|                         | Storage Humidity      | 5%~95%   |  |

## WHAT WE OFFER

- ✔ **Industrial Grade / High Durability**  
 Made of industrial grade materials in compliance with RoHS, which is far higher than general commercial grade, Soyal products work well in extreme environment with long working life.
- ✔ **Anti-Cloning and Anti-Duplicate**  
 We provide anti-cloning and encryption for whole system to tighten up the security. It supports DESFire in compliance with EAL4+, more secure than other brand's controller.
- ✔ **Support Soyal Cascade Structure**  
 When scaling your system it is not only having more hardware, higher security level, and more spaces to control; it also means there will be more people with access. Without replacing or changing installed hardware, adjust your controller user capacities by adding external Multi-Door Controller; from a thousand to more than ten thousand user capacity.
- ✔ **High Scalability, Beyond Access Controller**  
 Each product manufactured by Soyal is made for total solution and to offer flexibility. For instance, Soyal main product is access controller but you can find Soyal on other application like offline consumption device, charging device, and many more just by changing its firmware.
- ✔ **No Exclusivity, Open Integration Resources**  
 SOYAL provides open sources such as SDK and protocol document that have "no-exclusively and open source integration" characteristic. SOYAL also supports integrations, like JSON, Graphic QL, Julia, Modbus, so customers can easily develop their own software.

## INSTALLATION(mm)



## HOW TO ORDER

**AR-721-HXR1NX1**

**Frequency**  
 B=125kHz / D=13.56MHz

**RTC**  
 R=Built-in RTC

**Communication**  
 1=RS485

**Waterproof**  
 N=Non Waterproof

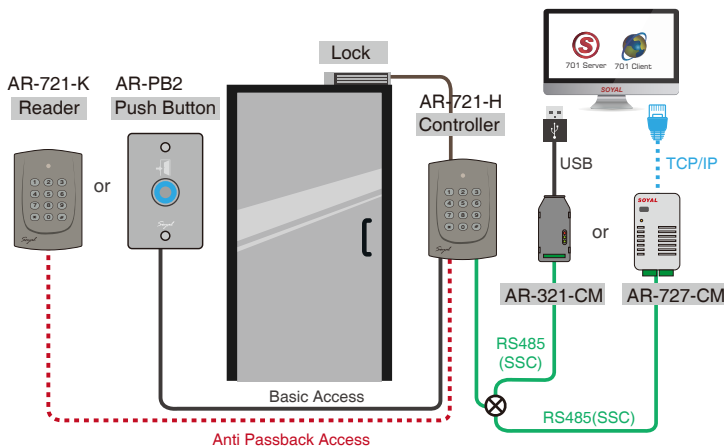
**Type**  
 1=Standard

**Color**  
 1=Silver  
 2=Gray  
 B=Black

## APPLICATION & STRUCTURE DIAGRAM

### STANDALONE & NETWORKING ACCESS CONTROL

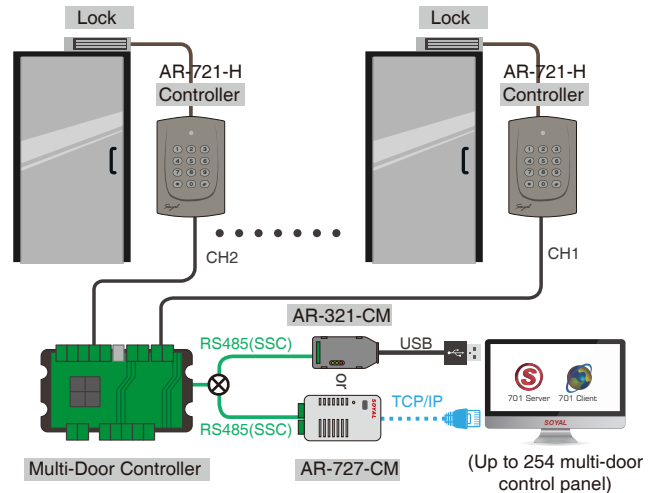
**Basic Access:** the most basic access, exiting venue is only by pressing a push button  
**Anti Passback:** restrict user to re-enter before exiting venue or increase security level by having access reader at the other side of the door. Both entering and exiting will required swipe card or keyfob for access.  
**Networking:** beside configuration through Wiegand Keyboard and Master Card, you can also link AR-721-H with Soyal converter to PC for configuration via SOYAL Software or for anti-cloning and encryption process.



--1024 User, 11 Timezone--

### CASCADE STRUCTURE

Upgrade user capacity without replacing AR-721-H installed with additional hardware of SOYAL Multi-Door Control Series. Under Multi-Door Control Panel, when RS485 communication is working normally, AR-721-H will be a Slave Reader of Control Panel. Once its communication is cut off, AR-721-H will automatically be Access Control and have control on its user and parameter setting.

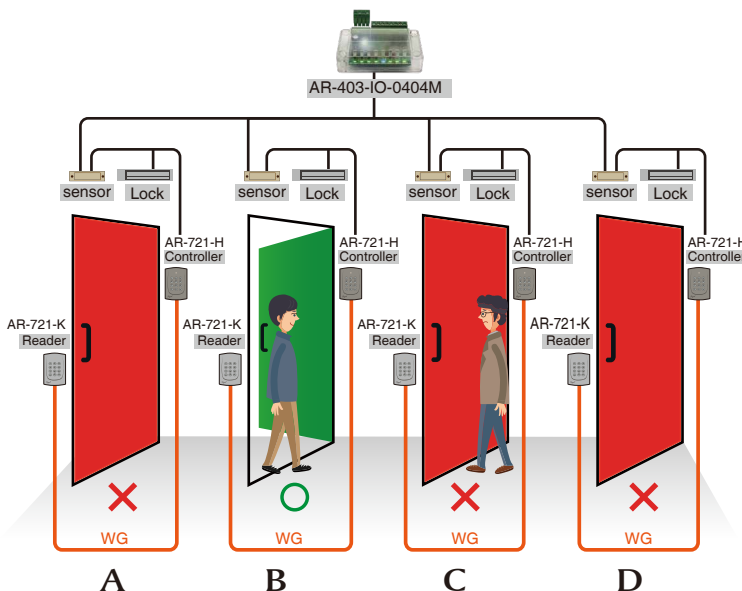


--16000 User, 63 Timezone--

### INTERLOCK CONTROL SYSTEM

Suitable for rooms that required high hygiene for example clean room technology or laboratories that certain doors may only be opened if others are closed. Besides providing restriction for more than one door open at the same time, SOYAL AR-721-H provides user access to open door which only authorized user with valid tags can open the door.

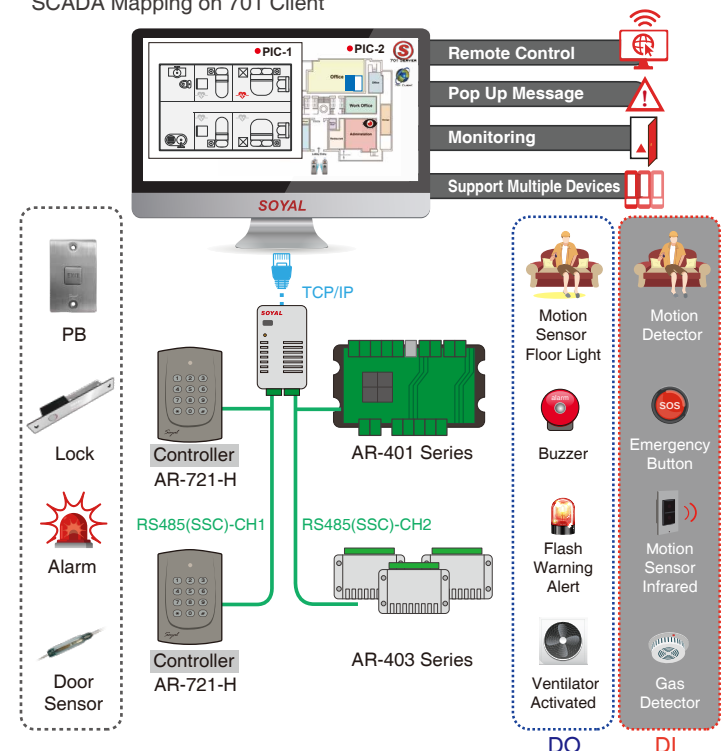
| DOOR SENSOR<br>√:Open X:Can't open | Door Open |    |    |    |
|------------------------------------|-----------|----|----|----|
|                                    | Ao        | Bo | Co | Do |
| ○                                  | X         | X  | X  |    |
| X                                  | ○         | X  | X  |    |
| X                                  | X         | ○  | X  |    |
| X                                  | X         | X  | ○  |    |



### SCADA: Remote Control and Monitoring System

SOYAL provide both access controller and I/O module exist on the same system of SCADA for remote control and monitoring system.

- Remotely control 721-H I/O status(ON or OFF), doors status (open or close), and arming/disarming status
- Set up abnormal events indicator for pop-up message
- Monitoring controllers and door status on site through graphical control
- Support multiple devices on one SCADA Mapping and multiple SCADA Mapping on 701 Client



# PERIPHERALS / ACCESSORIES

## HIGH LEVEL SECURITY

- Anti-Cloning Kits



### Mifare Encryption

Encoder: AR-725-P  
w/Authorization Tags  
Software: Mifare Key



### Desfire Encryption

Encoder: AR-837-P  
w/Authorization Tags  
Software: 323D Master

- Expansion I/O Control



### I/O Modules

**AR-401 Series:**  
Multiple Channel I/O Module  
**AR-403 Series:** Tiny Digital I/O Module

## STANDALONE

- Input/Output



### Locks

**Magnetic Lock**  
AR-0600M  
**Electric Bolt Lock**  
AR-1207 Series  
**Cabinet Lock**  
AR-1211-P/AR-1213-P  
**Electric Strike**  
AR-YS-130NO/AR-YS-131NO



### Door Sensor / Alarm/Siren / Burglary Security System



AR-721-H

## NETWORKING

- Software



### File Based & Data Based Interchangeable Software for Access Control, Time Attendance, Status Monitoring and Configuration

701 Server & 701 Client



### Firmware Upgrade

ISP Tools

- Signal/Interface Converter



### Isolated USB to RS485

AR-321-CM

### Isolated RS232 to RS485

AR-321-CM-485232



### Ethernet to RS485

AR-727-CM  
AR-727-CM-IO-0804M  
(with I/O for Fire Alarm to open all doors)



### TTL to RS-485

For external module converter

- Large User Capacity & Multi-Door AntiPassback



### Multi-Door Control Series

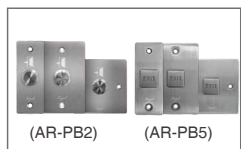
AR-716-E16: 16 Doors IP Control Panel  
AR-716-E18: 18 Doors Networking Control Panel

- Nation Series



### 16,000 User IP Based Access Controller

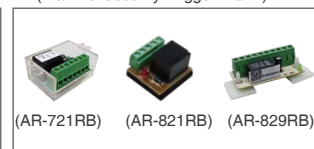
AR-327-E / AR-727-E  
**Wiegand Reader**  
AR-723-U



### Stainless Steel Push Button

AR-PB2 & AR-PB5 Series

- External Relay Output (Alarm & Security Trigger Alarm)



### 1 Form C relay with time delay

AR-721RB

### 1 Form C relay

AR-821RB

### 2 Form C relay

AR-829RB

- Necessary



### Power Supply

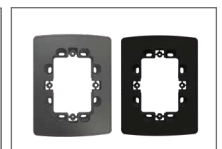
BP-W12-1500 (1.5A)  
BP-W15-2400 (2.4A)



### Proximity Tags

125kHz: EM  
13.56MHz: Mifare Classic, Mifare Desfire, UltraLight  
Tags Selection: Thin Card, Thick Card, Round Keyfob, Square Keyfob

- Installation Mounting Panel



### Color: Gray / Black

AR-HT-98128

## FAQ

**Q:** How to Integrate SOYAL with Face & License Plate Recognition?

**A:** As Face Recognition is more and more in demand, SOYAL provide resources and two integration method. The integration will grant access via face recognition by sending converting face data to UID to Soyal system (software/hardware) that later will resulting in access granted or denied, based on the availability user data on Soyal database system. As the integration method is various, we offer flexibility of integration based on what customer preferred.

**Q:** What is the difference between SOYAL Home Series and Enterprise Series Controller?

**A:** SOYAL access controller classified into two categories in term of specification; Home Series and Enterprise Series. SOYAL Home Series controller has already include all basic standalone and networking access controller that you need. But E series controller provide what Home Series controller has already have, and more advanced features like built in more user capacity, UART Port for extension module, and extension interface like Ethernet and POE.



More FAQ